



CONTRACTOR	
PROJECT	DATE
PREPARED BY	MODEL : USB15

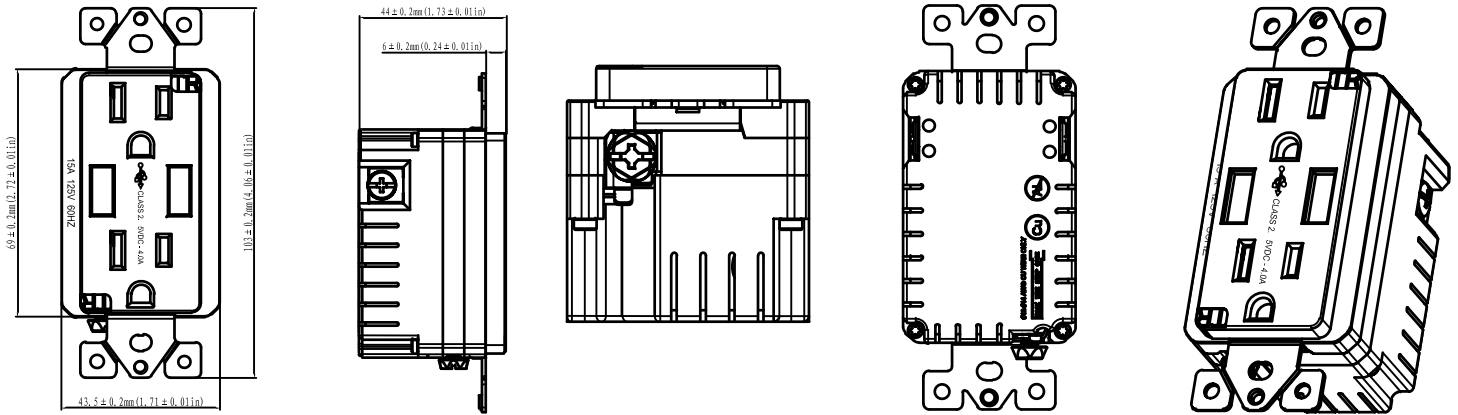
SERIES SPECIFICATIONS

DUAL USB CHARGER 15A DUPLEX TAMPER RESISTANT RECEPTACLE

- 2 USB ports with a power of 4A, 5VDC
- Charge most compatible electrical devices directly without an adapter
- Tamper-Resistant shutters provide compliance with 2011 NEC code
- Replace a standard duplex receptacle
- Back and side wire for easy installation



LINE DRAWING



CONSTRUCTION

No. of Plugs
2

USB Ports
2

Wire Terminals
#14-#12 AWG

ELECTRICAL SPECIFICATIONS

Output Voltage
5VDC

Amperage
4A

Receptacle Rating
15A, 125VAC

Operating Temp.
-4°F ~ 140°F (-20°C ~ 60°C)

USB Compatibility
USB 1.1, 2.0, 3.0 devices
(including Apple products)

Strip Length
0.5 Inch (back wire holes)
1 Inch (screw terminal)

APPLICATION AND PERFORMANCE SPECIFICATION INFORMATION IS SUBJECT TO CHANGE WITHOUT NOTIFICATION





CONTRACTOR	
PROJECT	DATE
PREPARED BY	MODEL : USB15

DEVICE COMPATIBILITY

iPad®	iPhone®	iPad® Mini
iPod®	Tablets	GPS
Mobile Phones	Galaxy Tab™	Blackberry®
Android Phones	Bluetooth™ Headsets	Windows® Phone by HTC
Digital Cameras	Kindle™, Nook e-reader	Other USB compatible products

CERTIFICATIONS/WARRANTY

Listing
UL Listed

Warranty
Guaranteed for two years from the purchase date of the product, against mechanical defects in manufacturing.

ORDERING INFORMATION

Box Qty : 1

Weight (Lbs) : 0.45

Carton Qty. : 10

Master Carton Qty. : 40

Part Code	IMS Code
USB15BK	0315-2058
USB15BR	0315-2061
USB15IV	0315-2070
USB15LA	0315-2073
USB15WH	0315-2076

APPLICATION AND PERFORMANCE SPECIFICATION INFORMATION IS SUBJECT TO CHANGE WITHOUT NOTIFICATION

