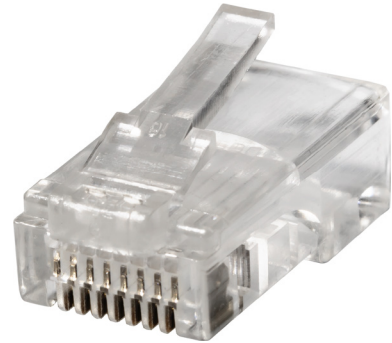




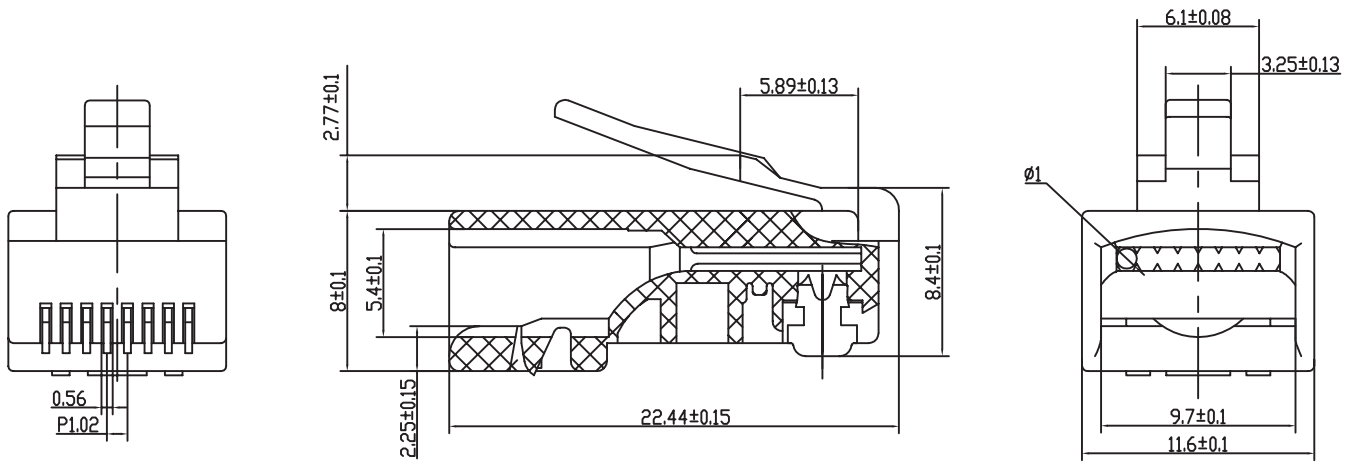
CONTRACTOR	
PROJECT	DATE
PREPARED BY	MODEL : RJ 45

SERIES SPECIFICATIONS

8P8C RJ 45 Plug



LINE DRAWING



CONSTRUCTION

Finish
Clear

Material
PC 94V-HB

Plating
Au G/F

ELECTRICAL SPECIFICATIONS

Insulation Resistance
1000 Megohms

Withstand Voltage
1000V, AC/minute

Durability
750 mating circles min.

Type
8P8C Plug

APPLICATION AND PERFORMANCE SPECIFICATION INFORMATION IS SUBJECT TO CHANGE WITHOUT NOTIFICATION



404 NW ENTERPRISE DR. PORT ST. LUCIE, FL 34986 | 772.408.5213 | WWW.RPP-USA.COM



CONTRACTOR	
PROJECT	DATE
PREPARED BY	MODEL : RJ 45

ORDERING INFORMATION

Part Number: RJ 45

Package Qty : 100

IMS Code : 0223-6692

APPLICATION AND PERFORMANCE SPECIFICATION INFORMATION IS SUBJECT TO CHANGE WITHOUT NOTIFICATION



404 NW ENTERPRISE DR. PORT ST. LUCIE, FL 34986 | 772.408.5213 | WWW.RPP-USA.COM