



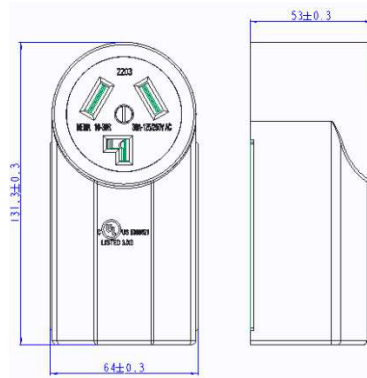
CONTRACTOR	
PROJECT	DATE
PREPARED BY	MODEL :

SERIES SPECIFICATIONS

30 Amp, 125/ 250 Volt, NEMA 10-30R, 3P, 3W, Surface Mtg Receptacle, Straight Blade, Industrial Grade, Non-Grounding, AL-CU, Side Wired, Steel Strap, - Black



LINE DRAWING



CONSTRUCTION

Finish
Black

Cover Material
PA6+GF20

Base Material
PA6+GF20

Strap Material
Galvanized Steel

NEMA
10-30R

ELECTRICAL SPECIFICATIONS

Voltage
125/250VAC

Amperage
30A

Grounding
No

Wire
3

Poles
3

AC Horsepower Ratings
2HP

Dielectric Voltage
Withstands 2000V per UL498

Current Limiting
Full Rated Current

Temperature Rise
Max 30°C after 50 cycles OL at 150 percent rated current

APPLICATION AND PERFORMANCE SPECIFICATION INFORMATION IS SUBJECT TO CHANGE WITHOUT NOTIFICATION





CONTRACTOR	
PROJECT	DATE
PREPARED BY	MODEL :

ENVIRONMENTAL SPECIFICATIONS

Flammability

Rated V-2 per UL94

Operating Temperature

-34°C to 60°C

MECHANICAL SPECIFICATIONS

Terminal Accept

10 to 4 AWG

CERTIFICATIONS/WARRANTY

Listing

c-UL-us Listed

Warranty

Guaranteed for one year from the purchase date of the product, against mechanical defects in manufacturing.

ORDERING INFORMATION

Part Number: SMD1030R-BK

IMS Code : 0424-2777

APPLICATION AND PERFORMANCE SPECIFICATION INFORMATION IS SUBJECT TO CHANGE WITHOUT NOTIFICATION



404 NW ENTERPRISE DR. PORT ST. LUCIE, FL 34986 | 772.408.5213 | WWW.RPP-USA.COM